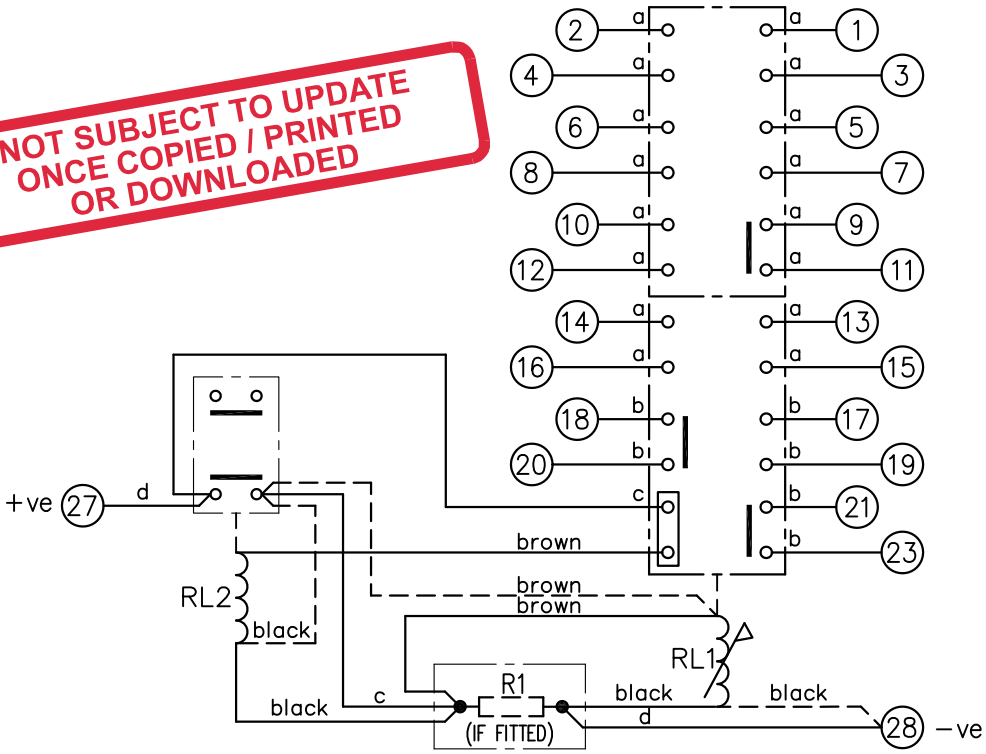


LOOKING ON FRONT OF RELAY

2112W50040

**NOT SUBJECT TO UPDATE
ONCE COPIED / PRINTED
OR DOWNLOADED**



| ASSEMBLY WIRES USED | |
|---------------------|-------------------|
| a | 2107B10001 16 OFF |
| b | 2107B10002 6 OFF |
| c | 2107D10169 2 OFF |
| d | 2107D10165 2 OFF |

| RL2 COIL | 2112G20031 | 2112G20031 | 2112G20031 | 2112G20031 |
|----------|------------|------------|-----------------------------|------------|
| RL1 COIL | 2112G20014 | 2112G20016 | 2112G20020 | |
| R1 | 390R | 2102C35391 | 2X100R IN SERIES 2102C41101 | |
| Vdc | 24 | 30 | 48 | 60 |
| | | | | 125 |
| | | | | 240 |

- KEY**
- ○ make contact
 - ⊞ break contact
 - ○ c/o contact
 - ⊖ ext. conn
 - ⌋ plug bridge - shorting
 - ⊖ metering point
 - ⌋ 5Kv barrier
 - test socket - shorting
 - ⊖ plug & socket

| CONTACT CONFIG. | OUTPUT CONTACT PAIR / TERMINAL No. | | | | | | | | | | | |
|-----------------|------------------------------------|-----|-----|-----|------|-------|-------|-------|-------|-------|-------|--|
| | 1-3 | 2-4 | 5-7 | 6-8 | 9-11 | 10-12 | 13-15 | 14-16 | 17-19 | 18-20 | 21-23 | |
| 11M | M | M | M | M | M | M | M | M | M | M | M | |
| 10M 1B | M | B | M | M | M | M | M | M | M | M | M | |
| 9M 2B | B | B | M | M | M | M | M | M | M | M | M | |
| 8M 3B | B | B | M | B | M | M | M | M | M | M | M | |
| 7M 4B | B | B | B | B | M | M | M | M | M | M | M | |
| 6M 5B | B | B | B | B | M | B | M | M | M | M | M | |
| 5M 6B | B | B | M | B | M | M | B | B | B | M | M | |
| 4M 7B | B | B | B | B | M | M | B | B | B | M | M | |
| 3M 8B | B | B | B | B | M | B | B | B | B | M | M | |

NOTE:

- CONTACT CONFIGURATION ABOVE IS REQUIRED FOR RELAY OPERATION. FOR DETAILS OF VARIABLE CONTACT OPTIONS SEE TABLE OPPOSITE.
- RESISTOR R1 IS FITTED ONLY WHEN REQUIRED. SEE TABLE ABOVE.
- DASHED LINE --- SHOWS CONNECTIONS WHEN RESISTORS ARE NOT FITTED.

FRAME REFERENCE: E4FS05.
FRAME TERMINAL BLOCK ASSY: -

ASSEMBLY INSTRUCTIONS: -
TYPICAL ASSEMBLY DRAWING 2995G10032.
AT INDICATED POSITIONS FIT AS FOLLOWS:
T - FIT TRIP ISOLATION CONTACT 2995B10053
S - FIT STANDARD CONTACT 2995B10054
SECURE CONTACTS USING FIXING SCREW 2109F99009.
POSITIONS SHOWN BLANK ARE UNUSED

| | | | |
|----|---|---|----|
| 2 | T | T | 1 |
| 4 | T | T | 3 |
| 6 | T | T | 5 |
| 8 | T | T | 7 |
| 10 | T | T | 9 |
| 12 | T | T | 11 |
| 14 | T | T | 13 |
| 16 | T | T | 15 |
| 18 | T | T | 17 |
| 20 | T | T | 19 |
| 22 | T | T | 21 |
| 24 | T | T | 23 |
| 26 | | | 25 |
| 28 | S | S | 27 |

VIEW FROM NUMBERED SIDE OF BLOCK

OUTER TERMINAL BLOCK ASSY: -

ASSEMBLY INSTRUCTIONS: -
TYPICAL ASSEMBLY DRAWING 2995G10029.
AT INDICATED POSITIONS FIT AS FOLLOWS:
S - FIT STANDARD CONTACT 2995B10051
HC - FIT 'HEAVY CURRENT' KIT 2995G10030
WHERE ○-○ IS SHOWN FIT CT SHORTING KIT 2995G10031
POSITIONS SHOWN BLANK ARE UNUSED.
ALL POSITIONS FIT SCREW 2106F12506.

| | | | |
|----|---|---|----|
| 2 | S | S | 1 |
| 4 | S | S | 3 |
| 6 | S | S | 5 |
| 8 | S | S | 7 |
| 10 | S | S | 9 |
| 12 | S | S | 11 |
| 14 | S | S | 13 |
| 16 | S | S | 15 |
| 18 | S | S | 17 |
| 20 | S | S | 19 |
| 22 | S | S | 21 |
| 24 | S | S | 23 |
| 26 | | | 25 |
| 28 | S | S | 27 |

VIEW FROM INSIDE FACE

| | | | | | | |
|------------------------------|--|----------|---|----------------|-------------------------------|--|
| 4 RDW 12/04/12 MN112/3514 JB | | | Title: T.B. AND WIRING DIAG. FOR 7PG15223 (TR223-11) RELAYS IN E4 CASE. | | First used on: | |
| 3 RDW 14/11/05 MN112/2744 | | | | | Similar Articles: | |
| 2 27/04/00 MN995/09 | | | | | Supersedes: | |
| ISSUE DATE MOD.No. | | | Reyrolle Protection Hebburn. | | Drg.No. 2112W50040 | |
| DRAWN: A.LAW. | | CHECKED: | APPROVED: R.D.WATSON | DATE: 16/07/02 | Copyright © 1998 Reyrolle Ltd | |